

TECHNISCHE ÄNDERUNGEN VORBEHALTEN · NACHDRUCK UND KOPIEN NUR MIT UNSEREM EINVERSTÄNDNIS · Specifications subject to change without notice · Copyright ELAFLEX

| GRUPPE 2 Section | GE- WICHT Weight Approx. | MUTTER FORM Nut Style | SCHLAUCH- GRÖSSE | | | GEWINDE ART + GRÖSSE Thread Type + Size | BESTELL- NUMMER Part Number |
|------------------------|-----------------------------------|--------------------------------|---------------------|------------------------|-----------|--|--------------------------------------|
| | | | ID mm | Hose Size ID in. | OD mm | | |
| 0,5 | K | K | 13 | 1/2" | 22 - 25 | R 1/2" (BSP) | MC 13 - 1/2" |
| 0,5 | R 3/4" (BSP) | | | | | MC 13 - 3/4" | |
| 0,3 | K | K | 19 | 3/4" | 30 - 33 | R 3/4" (BSP) | MC 19 - 3/4" |
| 0,3 | R 1" (BSP) | | | | | MC 19 - 1" | |
| 0,2 | K | K | 25 | 1" | 36 - 39 | R 1" (BSP) | MC 25 - 1" |
| 0,3 | R 1 1/4" (BSP) | | | | | MC 25 - 1 1/4" | |
| 0,3 | K | K | 32 | 1 1/4" | 43 - 46 | R 1 1/4" (BSP) | MC 32 - 1 1/4" |
| 0,4 | R 1 1/2" (BSP) | | | | | MC 32 - 1 1/2" | |
| 0,5 | NK | NK | 35 | 1 3/8" | 46 - 48 | R 1 1/2" (BSP) | MC 35 - 1 1/2" |
| 0,6 | R 2" (BSP) | | | | | MC 35 - 2" | |
| 0,5 | NK | NK | 38 | 1 1/2" | 50 - 53 | R 1 1/2" (BSP) | MC 38 - 1 1/2" |
| 0,6 | R 2" (BSP) | | | | | MC 38 - 2" | |
| 0,7 | R | R | 40 | - | 53 - 56 | R 2" (BSP) | MC 40 - 2" |
| 0,8 | R 2" (BSP) | | | | | MC 45 - 2" | |
| 0,8 | R | R | 45 | 1 3/4" | 58 - 61 | R 2" (BSP) | MC 45 - 2" |
| 0,9 | R 2" (BSP) | | | | | MC 50 - 2" | |
| 1,0 | R | R | 50 | 2" | 63 - 67 | R 2 1/2" (BSP) | MC 50 - 2 1/2" |
| 1,3 | R 2 1/2" (BSP) | | | | | MC 63 - 2 1/2" | |
| 1,3 | K | K | 63 | 2 1/2" | 78 - 82 | 2 1/2" NPSH parallel | MC 63 - 2 1/2" NPSH |
| 1,6 | R 3" (BSP) | | | | | MC 63 - 3" | |
| 1,3 | R | R | 65 | 2 1/2" | 78 - 82 | R 2 1/2" (BSP) | (MC 65 - 2 1/2") |
| 1,6 | R 3" (BSP) | | | | | (MC 65 - 3") | |
| 1,6 | R | R | 75 | 3" | 89 - 94 | R 3" (BSP) | MC 75 - 3" |
| 1,6 | NK 3" NPSH parallel | | | | | MC 75 - 3" NPSH | |
| 2,0 | F | F | 100 | 4" | 114 - 119 | 5 1/2" DIN 26017 | MC 75 - 5 1/2" Alu |
| 3,6 | R 4" (BSP) | | | | | MC 100 - 4" | |
| 5,6 | F | F | 100 | 4" | 114 - 119 | 5 1/2" DIN 26017 | MC 100 - 5 1/2" |
| 4,3 | F 5 1/2" DIN 26017 | | | | | MC 100 - 5 1/2" L | |
| 2,6 | F | F | 100 | 4" | 114 - 119 | 5 1/2" DIN 26017 | MC 100 - 5 1/2" Alu |
| 3,1 | R 5 1/2" DIN 26017 | | | | | RMC 100 - 5 1/2" Alu | |

1) Andere Dichtungswerkstoffe, z. B. für heißes Wasser oder Lösungsmittel siehe Rückseite
 Other materials for seals, e.g. for hot water and solvents, see overleaf

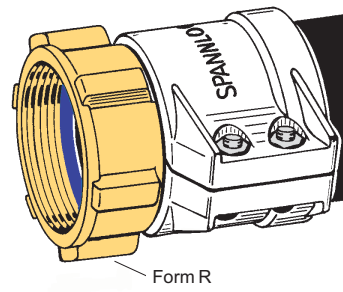
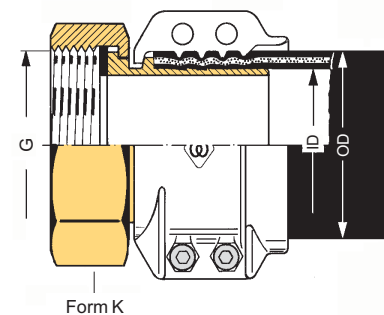


Mutterteil-Schlauchverschraubungen n. DIN EN 14420-5 mit wiederverwendbaren SPANNLOC-Klemmbacken aus gepresstem Aluminium mit Schrauben und Muttern aus Stahl verzinkt und chromatiert. Nenndruck bis 25 bar. - Chemische Beständigkeit siehe Seite 250

Female hose couplings acc. to EN 14420-5 with re-usable Spannloc bolted clamps of hot stamped aluminium. Bolts and nuts steel, zinc plated and chromated. Working pressure up to 25 bar. - Chemical resistance chart see page 250.

Schlauchstutzen und Mutter aus Pressmessing. Flachdichtung VD Polyurethan 1)

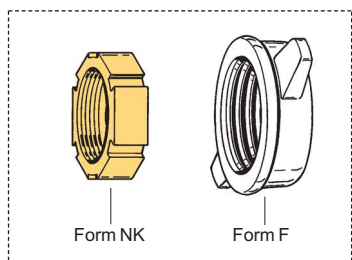
Hose tail and union nut of hot stamped brass. Captive seal VD polyurethane 1)



Alu-Type (PN 10):
Stutzen und Mutter aus Aluminium.
Dichtung Polyurethan

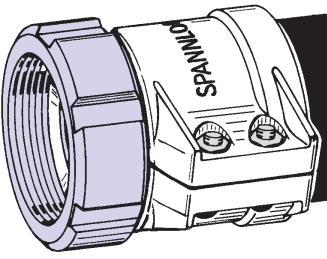
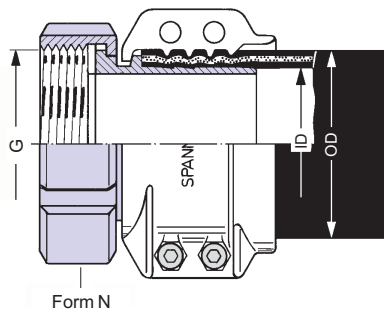
Hose tail and union nut of aluminium.
Captive seal of PU

L-Type (PN 10):
Stutzen Alu, Mutter Ms
hose tail aluminium,
union nut of brass



Schlauchstutzen aus 1.4571 (1.4408). Mutter aus 1.4408, 1.4571 oder 1.4301. Dichtung PTFE

Hose tail of 1.4571 (1.4408). Union nut of 1.4408, 1.4571 or 1.4301. Seal of PTFE

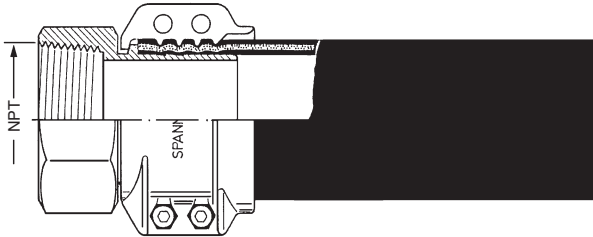


*) Gewindemaße siehe Seite 236 · Thread measurements see page 236

Sonderausführungen · Special Types

1

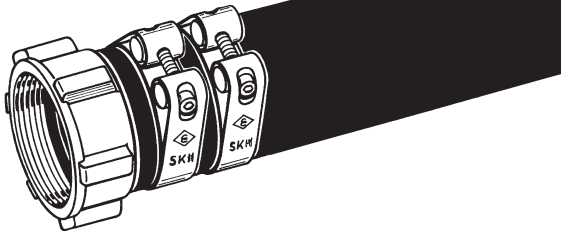
Schlauchstutzen mit festem NPT-Innengewinde. Abdichtung mit Teflon-Dichtband. Der Schlauch muß bei der Montage um die eigene Achse gedreht werden. - Lieferbar in allen Standardgrößen



Hose tail with fixed female tapered thread (NPT). Sealing with PTFE tape. For assembling the hose must be axially turned. - All standard sizes available

2

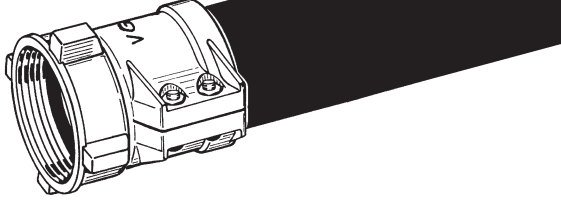
Preisgünstige Mutterverschraubung für Billigschläuche. Schlauchstutzen mit Sägezähnen für SK-Schelleneinband. - Lieferbar in allen Standardgrößen



Moderately priced hose coupling with Union nut. Hose tail with serrations for SK-clamps. - All standard sizes available

3

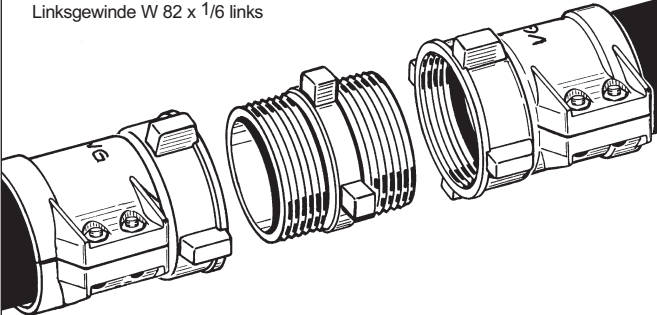
"Marine"-Verschraubung nach VG 85281 aus Pressmessing für Schläuche 63 ID x 79 OD. Mit Rechtsgewinde M 80 x 3 für Treibstoffschläuche oder mit Linksgewinde W82 x 1/6 links für Frischwasserschläuche



"Marine" hose coupling to VG 85281 of hot stamped brass for hoses 63 ID x 79 OD. With right-hand thread M 80 x 3 for fuelling hoses or left-hand thread W 82 x 1/6 left for portable water hoses

4

Doppelnippel aus Preßmessing nach VG 85281 zur Verbindung von Marine-Verschraubungen. Lieferbar mit Rechtsgewinde M 80 x 3 oder Linksgewinde W 82 x 1/6 links

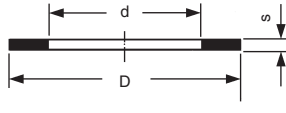


Nipple of hot stamped brass to VG 85281 for connecting "Marine" hose couplings. Delivery with right-hand thread M 80 x 3 or left-hand thread W 82 x 1/6 left

Ersatzdichtungen · Spare Seals

5

Dichtungen für Mutterverschraubungen



Seals for hose couplings with union nut

| für <i>for</i> | D mm | d mm | s mm | Werkstoff <i>Material</i> | Bestellnummer <i>Part Number</i> |
|-------------------|---------|---------|---------|------------------------------|-------------------------------------|
| G 1/2" | 20 | 13 | 2 | PU honigfarben/amber | VD 20/13 |
| | | | | Thermopac/green | HBD 20/13 |
| G 5/8" | 23 | 16 | 2 | PU honigfarben/amber | VD 23/16 |
| G 3/4" | 26 | 19 | 2 | PU blau/blue | VD 26/19 |
| | | | | Thermopac/green | HBD 26/19 |
| | | | | Teflon/PTFE | TD 26/19 |
| M 30 x 1,5 | 30 | 21 | 2 | PU honigfarben/amber | VD 30/21 |
| G 1" | 33 | 24 | 2 | PU blau/blue | VD 33/24 |
| | | | | Thermopac/green | HBD 33/24 |
| | | | | Viton/FKM | VD 33/24 |
| | | | | EPDM/EPT | EPD 33/24 |
| G 1 1/4" | 42 | 34 | 2 | Teflon/PTFE | TD 33/24 |
| | | | | PU honigfarben/amber | VD 42/34 |
| | | | | Thermopac/green | HBD 42/34 |
| | | | | Viton/FKM | VD 42/34 |
| G 1 1/2" | 48 | 39 | 2 | EPDM/EPT | EPD 42/34 |
| | | | | Teflon/PTFE | TD 42/34 |
| | | | | PU blau/blue | VD 48/39 |
| | | | | Thermopac/green | HBD 48/39 |
| G 1 3/4" | 54 | 44 | 2 | Viton/FKM | VD 48/39 |
| | | | | EPDM/EPT | EPD 48/39 |
| | | | | Teflon/PTFE | TD 48/39 |
| | | | | PU honigfarben/amber | VD 54/44 |
| G 2" | 60 | 49 | 2 | PU blau/ blue | VD 60/49 |
| | | | | Thermopac/green | HBD 60/49 |
| | | | | Viton/FKM | VD 60/49 |
| | | | | EPDM/EPT | EPD 60/49 |
| Haltermann | 72 | 58 | 3 | Teflon/PTFE | TD 60/49 |
| | | | | PU honigfarben/amber | VD 72/58 |
| | | | | PU blau/blue | VD 76/63 |
| | | | | Thermopac/green | HBD 76/63 |
| G 2 1/2" | 76 | 63 | 2,5 | Teflon/PTFE | TD 76/63 |
| | | | | PU honigfarben/amber | VD 82/65 |
| W 82 x 1/6 | 82 | 65 | 3 | PU honigfarben/amber | VD 82/65 |
| | | | | PU blau/blue | VD 88/77 |
| | | | | Thermopac/green | HBD 88/77 |
| | | | | Viton/FKM | VD 88/77 |
| G 3" | 88 | 77 | 3 | EPDM/EPT | EPD 88/77 |
| | | | | Teflon/PTFE | TD 88/77 |
| | | | | PU blau/blue | VD 114/100 |
| | | | | Thermopac/green | HBD 114/100 |
| G 4" | 114 | 100 | 4 | Viton/FKM | VD 114/100 |
| | | | | EPDM/EPT | EPD 114/100 |
| | | | | Teflon/PTFE | TD 114/100 |
| | | | | PU honigfarben/amber | VD 140/102 |
| 5 1/2" DIN*11 | 140 | 102 | 3 | Thermopac/green | HBD 140/102 |
| | | | | Perbunan/NBR | PD 140/102 |
| | | | | Teflon/PTFE | TD 140/102 |

TECHNISCHE ÄNDERUNGEN VORBEHALTEN · NACHDRUCK UND KOPIEN NUR MIT UNSEREM EINVERSTÄNDNIS · Specifications subject to change without notice · Copyright ELAFLEX

| GRUPPE 2 Section | GE- WICHT Weight Approx. | BUND FORM Tail End Form | SCHLAUCH GRÖSSE Hose Size | | | GEWINDE ART + GRÖSSE Thread Type + Size G *) | BESTELL- NUMMER Part Number Type |
|------------------------|-----------------------------------|-------------------------------------|------------------------------------|-----------------|-----------|--|--|
| | ≈ kg | Form | ID mm | ID in. | OD mm | | |
| | 0,4 | K | 13 | 1/2" | 22 - 25 | R 1/2" (BSP) | VC 13 - 1/2" |
| | 0,4 | K | | | | R 1/2" NPT (API) | VC 13 - 1/2" NPT |
| | 0,3 | K | 19 | 3/4" | 30 - 33 | R 3/4" (BSP) | VC 19 - 3/4" |
| | 0,3 | K | | | | 3/4" NPT (API) | VC 19 - 3/4" NPT |
| | 0,3 | K | | | | R 1" (BSP) | VC 19 - 1" |
| | 0,3 | K | 25 | 1" | 36 - 39 | R 1" (BSP) | VC 25 - 1" |
| | 0,3 | K | | | | 1" NPT (API) | VC 25 - 1" NPT |
| | 0,4 | K | | | | R 1 1/4" (BSP) | VC 25 - 1 1/4" |
| | 0,4 | K | 32 | 1 1/4" | 43 - 46 | R 1 1/4" (BSP) | VC 32 - 1 1/4" |
| | 0,5 | K | | | | 1 1/4" NPT (API) | VC 32 - 1 1/4" NPT |
| | 0,5 | K | | | | R 1 1/2" (BSP) | VC 32 - 1 1/2" |
| | 0,5 | NK | 38 | 1 1/2" | 50 - 53 | R 1 1/2" (BSP) | VC 38 - 1 1/2" |
| | 0,5 | K | | | | 1 1/2" NPT (API) | VC 38 - 1 1/2" NPT |
| | 0,5 | NK | | | | R 2" (BSP) | VC 38 - 2" |
| | 0,6 | K | 40 | - | 53 - 56 | R 2" (BSP) | VC 40 - 2" |
| | 0,9 | K | 45 | 1 3/4" | 58 - 61 | R 2" (BSP) | VC 45 - 2" |
| | 0,8 | NK | 50 | 2" | 63 - 67 | R 2" (BSP) | VC 50 - 2" |
| | 0,8 | NK | | | | 2" NPT (API) | VC 50 - 2" NPT |
| | 0,9 | NK | | | | R 2 1/2" (BSP) | VC 50 - 2 1/2" |
| | 1,3 | NK | 63 | 2 1/2" | 78 - 82 | R 2 1/2" (BSP) | VC 63 - 2 1/2" |
| | 1,4 | NK | | | | 2 1/2" NPT (API) | VC 63 - 2 1/2" NPT |
| | 1,4 | NK | | | | R 3" (BSP) | VC 63 - 3" |
| | 1,3 | NK | 65 | - | 78 - 82 | R 2 1/2" (BSP) | VC 65 - 2 1/2" |
| | 1,4 | NK | | | | R 3" (BSP) | VC 65 - 3" |
| | 1,4 | NK | | | | R 2 1/2" (BSP) | VC 75 - 2 1/2" |
| | 1,4 | NK | 75 | 3" | 89 - 94 | R 3" (BSP) | VC 75 - 3" |
| | 1,7 | NK | | | | 3" NPT (API) | VC 75 - 3" NPT |
| | 1,4 | NK | 80 | - | 94 - 97 | R 3" (BSP) | VC 80 - 3" |
| | 3,3 | NK | | | | 100 | 4" |
| | 3,4 | NK | 4" NPT (API) | VC 100 - 4" NPT | | | |
| | 0,2 | K | 13 | 1/2" | 22 - 25 | R 1/2" (BSP) | VC 13 - 1/2" SS |
| | 0,3 | K | 19 | 3/4" | 30 - 33 | R 3/4" (BSP) | VC 19 - 3/4" SS |
| | 0,3 | K | | | | 3/4" NPT (API) | VC 19 - 3/4" NPT SS |
| | 0,3 | K | | | | R 1" (BSP) | VC 19 - 1" SS |
| | 0,3 | K | 25 | 1" | 36 - 39 | R 1" (BSP) | VC 25 - 1" SS |
| | 0,3 | K | | | | 1" NPT (API) | VC 25 - 1" NPT SS |
| | 0,4 | K | | | | R 1 1/4" (BSP) | VC 25 - 1 1/4" SS |
| | 0,4 | K | 32 | 1 1/4" | 43 - 46 | R 1 1/4" (BSP) | VC 32 - 1 1/4" SS |
| | 0,5 | K | | | | 1 1/4" NPT (API) | VC 32 - 1 1/4" NPT SS |
| | 0,5 | K | 38 | 1 1/2" | 50 - 53 | R 1 1/2" (BSP) | VC 38 - 1 1/2" SS |
| | 0,5 | K | | | | 1 1/2" NPT (API) | VC 38 - 1 1/2" NPT SS |
| | 0,5 | N | | | | R 2" (BSP) | VC 38 - 2" SS |
| | 0,8 | NK | 50 | 2" | 63 - 67 | R 2" (BSP) | VC 50 - 2" SS |
| | 0,9 | N | | | | 2" NPT (API) | VC 50 - 2" NPT SS |
| | 1,1 | N | 63 | 2 1/2" | 78 - 82 | R 2 1/2" (BSP) | VC 63 - 2 1/2" SS |
| | 1,2 | N | | | | 2 1/2" NPT (API) | VC 63 - 2 1/2" NPT SS |
| | 1,3 | N | | | | R 3" (BSP) | VC 63 - 3" SS |
| | 1,4 | NK | 75 | 3" | 89 - 94 | R 3" (BSP) | VC 75 - 3" SS |
| | 1,9 | N | | | | 3" NPT (API) | VC 75 - 3" NPT SS |
| | 3,3 | NK | 100 | 4" | 114 - 119 | R 4" (BSP) | VC 100 - 4" SS |
| | 3,3 | N | | | | 4" NPT (API) | VC 100 - 4" NPT SS |

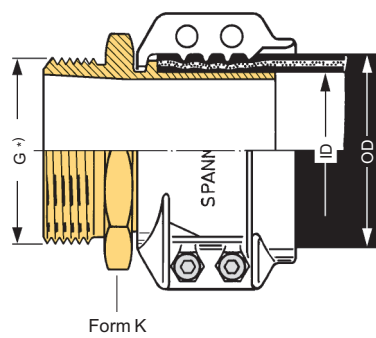


Vaterteil-Schlauchverschraubungen nach DIN EN 14420-5 mit wiederverwendbarem SPANNLOC-Klemmbacken aus gepresstem Aluminium mit Schrauben und Muttern aus Stahl verzinkt und chromatiert. Nenndruck bis 25 bar. - Chemische Beständigkeit siehe Seite 250.

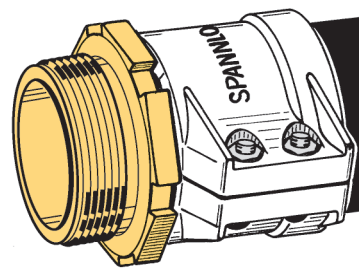
Male hose couplings acc. EN 14420-5 with re-usable SPANNLOC bolted clamps of hot stamped aluminium. Bolts and nuts of steel zinc plated and chromated. Working pressure up to 25 bar. - Chemical resistance chart see page 250.

Schlauchstutzen mit Außengewinde aus Pressmessing

Hose tail with male thread of hot stamped brass



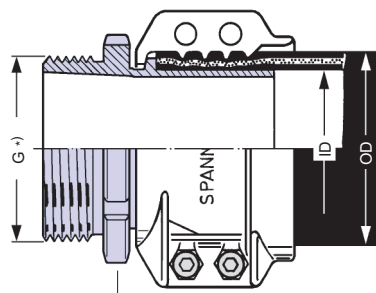
Form K



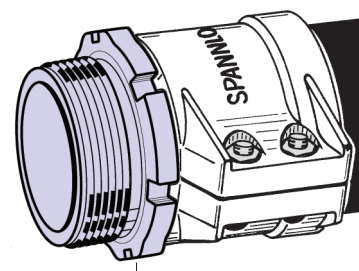
Form NK

Schlauchstutzen mit Außengewinde Edelstahl rostfrei 1.4571 (1.4408)

Hose tail with male thread of stainless steel 1.4571 (1.4408)



Form N



Form NK

*) Gewindemaße siehe Seite 236 · Thread measurements see page 236

Für die Flugzeugbetankung sind alle Messing-Schlauchverschraubungen auch in verzinneter Ausführung (Bestellnummer : ... sn) lieferbar, siehe Information 7.07.
For aircraft refuelling, all brass hose couplings are also available as tin plated version (order number : ... sn). For further details see information 7.07.

Montage von SPANNLOC-Klemmbacken · Assembly of SPANNLOC-Bolted Clamps

